

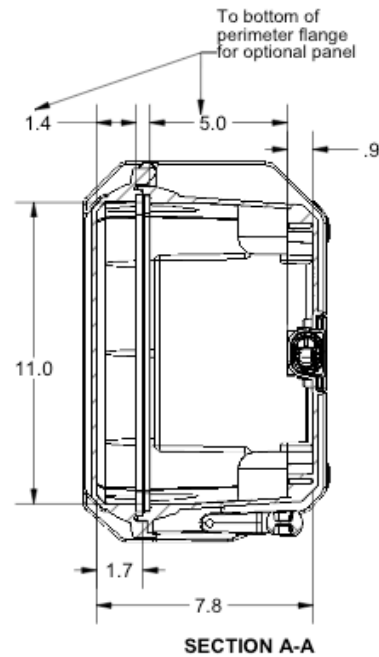
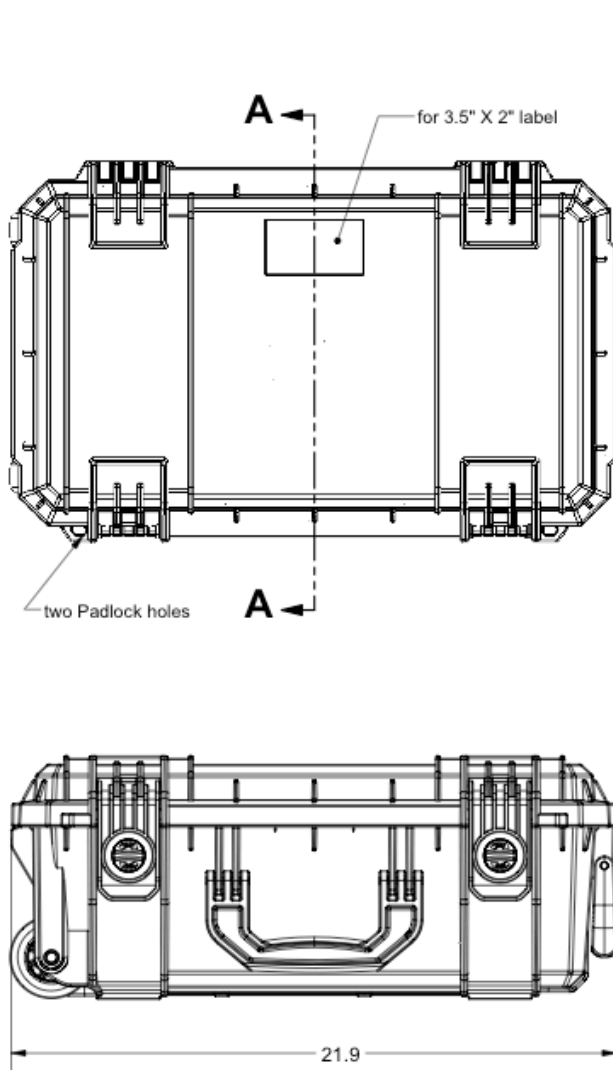
# SE830

# HARDERBACK

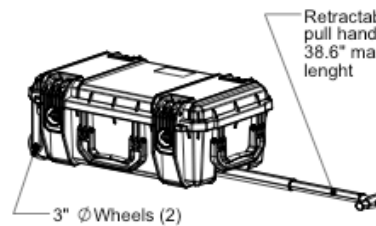
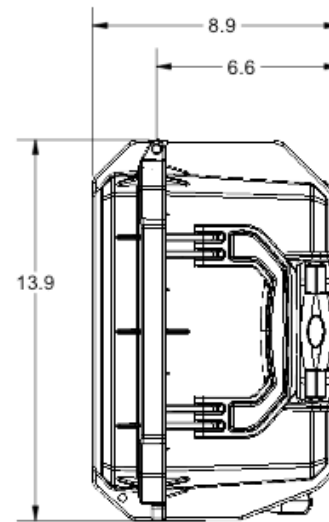
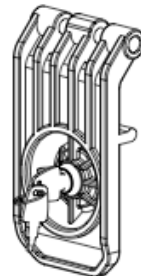
Maletas Industriales | Maletines Militares  
Estuches de Protección | Cajas Polipropileno  
Mochilas Resistentes | Cajas Biometricas



[ Draw ]



**SE830ML**  
Optional latch with metal lock. See note 2



**NOTES:**

- 1) Max. usable inside dimensions are: 19.5" X 11.00" X 7.80" (6.90" to top of handle)
- 2) With Metal Lock Latches p/n SE630ML and Plastic Lock Latches p/n SE630PL are optional.

